

COM Express Plug-and-Play Initiative

Gerhard Edi, congatec AG

Jeff Munch, ADLINK

Colin McCracken, Ampro

COM Express PnP Initiative

- Consortium of COM Express module vendor and system integrators
- Founding Members
 - ADLINK
 - Ampro
 - congatec

Objective

- Ensure true Plug-and-Play compatibility between multiple vendors
- Based on PICMG COM Express COM.0 specification Rev. 1.0
- Establish a communication platform for COM Express vendors and users
- Provide a primary source of information for system integrators and users

Platform

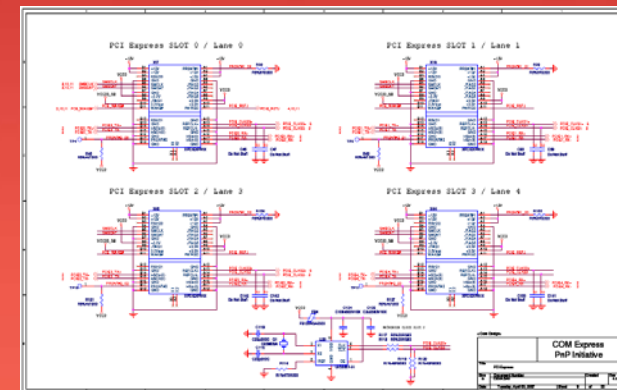
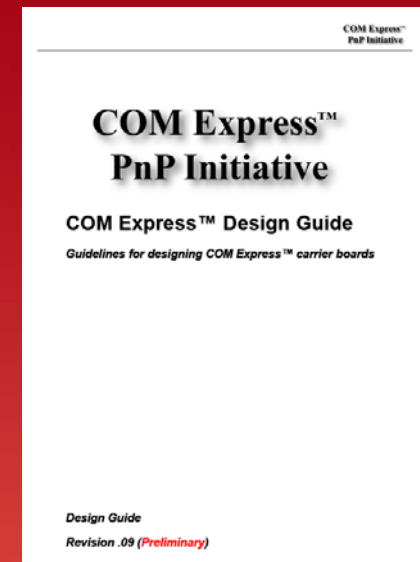
- www.com-express.org
- An independent and free of charge internet platform



Platform

■ Actual content

- COM Express Design Guide
 - Draft Version of the carrier board design guide for creating COM.0 compatible implementations
- COM Express Evaluation Carrier Board Schematics:
 - Draft Version of a fully featured evaluation carrier board that can be used as an implementation example



Planned activities

- Welcome more manufacturers, system integrators and supporting users
- Maintain PnP design guide
- Officially release COM Express PnP evaluation carrier board schematics
- Publish BOM and layout files for the COM Express PnP evaluation carrier board
- Joint Marketing activities with members

Plugfest

■ COM Express Plugfest

- Plugfest is an initiative for multiple vendors to test and demonstrate COM Express module interoperability of their products
- Every member can test its products for compatibility based on a standardized test procedure and provide the results on the web portal

Plugfest

- Publication of the Plugfest results for every manufacturer and product
- Publish integration recommendations of software features
 - I/O controller support
 - LVDS panel support
 - Embedded features

PICMG Cooperation

- Cooperation with the PICMG consortium
 - Propose changes and additions to the COM.0 specification
 - Report COM.0 spec. erratas